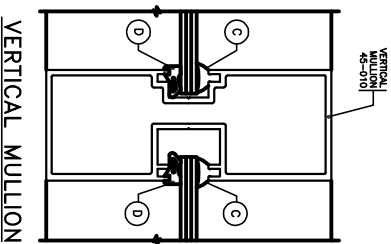
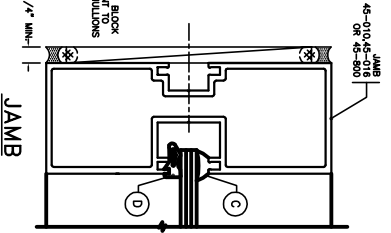
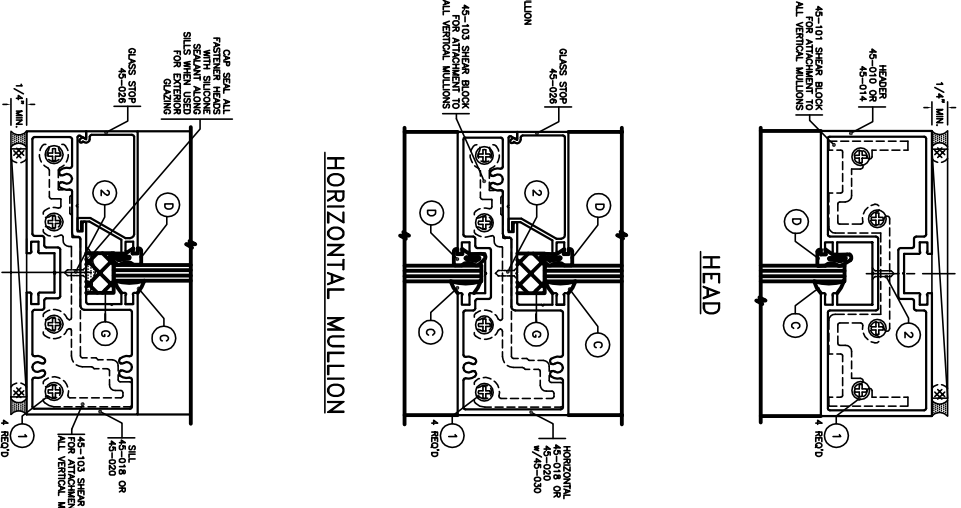
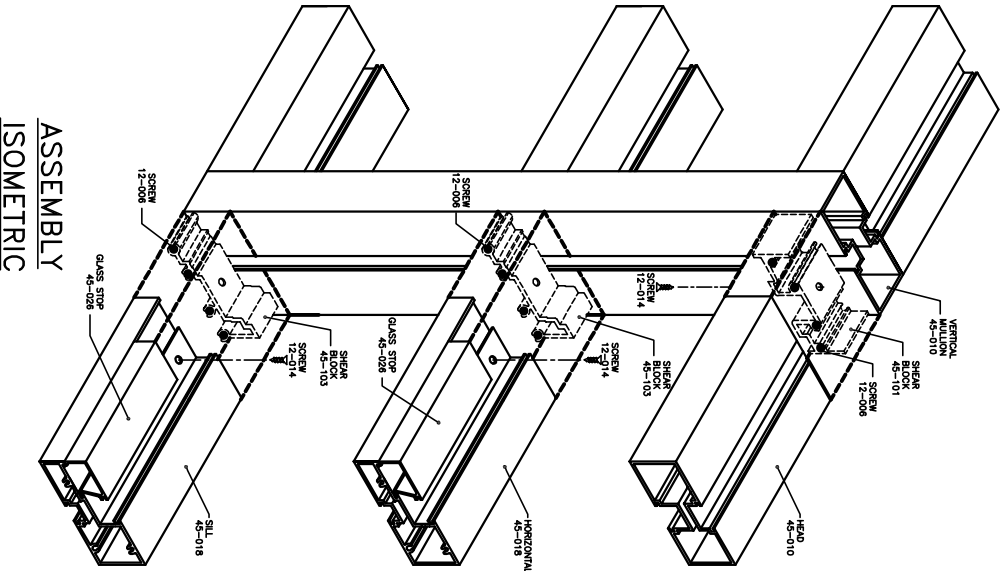


450FG WALL ASSEMBLY

SHEAR BLOCK ASSEMBLY



GENERAL NOTES

- Building code laws vary by area. CMI Architectural Products does not interpret local codes for the appropriate selection and therefore assumes no responsibility for the selection of materials or methods of installation. It is the responsibility of the owner, Architect, and Installer to comply with all applicable building codes and laws in the project documents. Notify the manufacturer of any conditions or discrepancies.
- All work shall be performed in accordance with CMI's instructions and specifications.
- All framing shall be erected plumb and true, in proper sequence, and in relation to established lines, grades, and elevations.
- Materials stored on the job site shall be properly blocked and covered to allow adequate water run-off and protection from wind-blown debris or vandalism of the bottom side of concrete masonry or insulation.
- CMI Architectural Products recommends that all project documents be reviewed by our engineers and that shop drawings be stamped by the fabricator of all proposed glazing contractors providing their own shop drawings shall remain the responsibility and liability for their own work.
- Check the opening to allow a minimum 1/4" of jamb, and squared.
- Apply sealant to the side of all intersecting horizontal framing members prior to assembly. When frames are installed at building exterior, sealant frames by applying pre-mounted shear blocks on the vertical members.
- Install frames, properly aligning with non-convex or non-undercutting trim material, to a plumb and square frame into the opening, through the glazing pocket. Apply a minimum 1/4" gap between the frame and the trim material. (Do not) glass property to achieve tight closure.
- Install interior (finish) gasket prior to installing glass. Set glass lines, properly blocking at (trim) corners, point the glass into the opening, through the glazing pocket. Apply a minimum 1/4" gap between the frame and the trim material. (Do not) glass property to achieve tight closure. Note: For independent laboratory testing, CMI requires both interior and exterior perimeter frames sealant to meet specified performance.

FASTENERS	GASKETS
1 #10 x 2" P.H. EX. 3 SHEAR BLOCK TO MULLION 12-006 ZINC PLATED STEEL	A LOCK IN 19-077 E.P.O.M.
2 #10 x 3/4" P.H. MULLION TO JAMB 12-014 ZINC PLATED STEEL	B LOCK IN 19-053 E.P.O.M.
	C LOCK IN 19-051 E.P.O.M.
	D ROLL IN 19-040 E.P.O.M.
	E ROLL IN 19-085 E.P.O.M.
	F ROLL IN 19-014 E.P.O.M.
	G 3/8" x 1/4" x 3" SETTING BLOCK 19-501 NEOPRENE
	H 1/4" x 3/4" x 3" SETTING BLOCK 19-503 NEOPRENE



REVISIONS

NO.	DATE	DESCRIPTION

PROJECT: _____

ARCHITECT: _____

GLAZING CONTRACTOR: _____

Architectural

CMI-ARCHITECTURAL PRODUCTS, INC.

DeMars, South Dakota 57231-0475

TELEPHONE (605)854-3328
FAX (605)854-3077

THIS DRAWING IS PREPARED FOR THE SOLE USE OF OBTAINING APPROVAL FOR MATERIALS. CMI-ARCHITECTURAL ASSUMES NO RESPONSIBILITY FOR GLASS SIZES, DETAILS OR MEASUREMENTS THAT CREATE ERRORS BY OTHER TRADES THROUGH THE USE OF THESE DRAWINGS. PERIMETER AND STRUCTURAL ANCHOR CONDITIONS ARE NOT THE RESPONSIBILITY OF CMI-ARCHITECTURAL. ANCHOR DETAILS, MATERIALS AND LOCATIONS ARE THE RESPONSIBILITY OF THE INSTALLER. THESE DRAWINGS ARE THE EXPRESS PROPERTY OF CMI-ARCHITECTURAL.

DATE DRAWN: 10-0-02

DRAWN BY: _____

PROJECT NO.: _____

PROJECT NAME: _____

SCALE: AS NOTED

CMI 5307

SHEET: A1