

450TB WALL ASSEMBLY

SHEAR BLOCK ASSEMBLY

HEAD RECEPTION

HEAD RECEPTION

HEAD RECEPTION

HEAD RECEPTION

HEAD RECEPTION

HEAD RECEPTION

HEAD RECEPTION

HEAD RECEPTION

HEAD RECEPTION

HEAD RECEPTION

HEAD RECEPTION

HEAD RECEPTION

HEAD RECEPTION

HEAD RECEPTION

HEAD RECEPTION

HEAD RECEPTION

HEAD RECEPTION

HEAD RECEPTION

HEAD RECEPTION

HEAD RECEPTION

HEAD RECEPTION

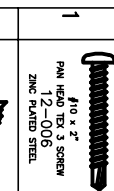
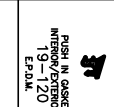
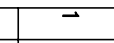
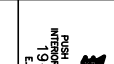
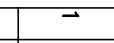
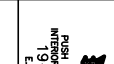
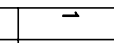
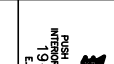
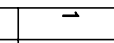
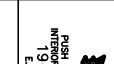
HEAD RECEPTION

HEAD RECEPTION

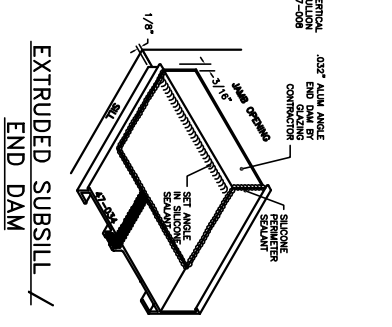
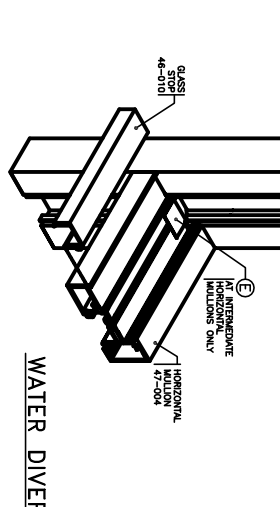
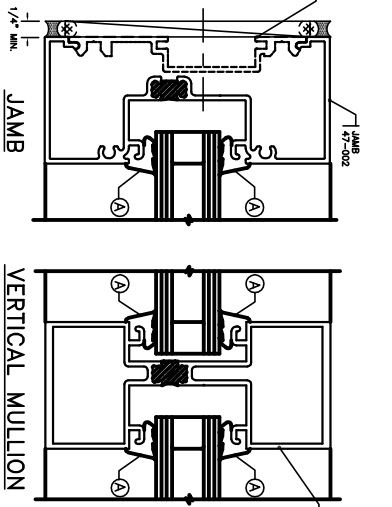
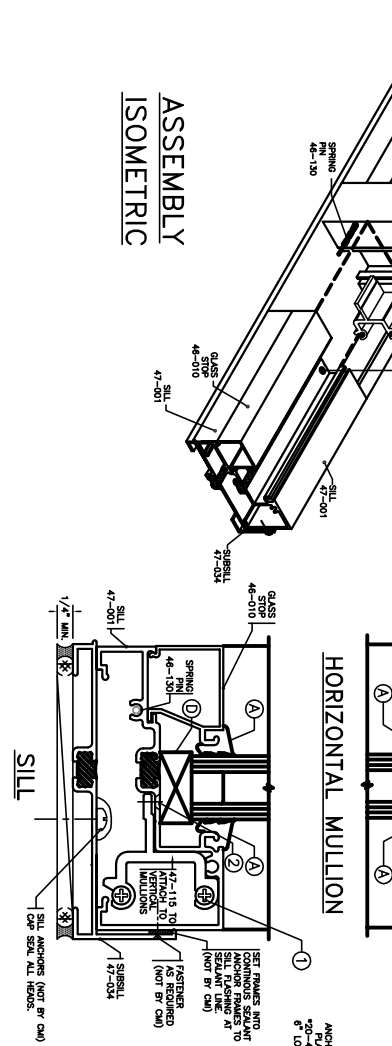
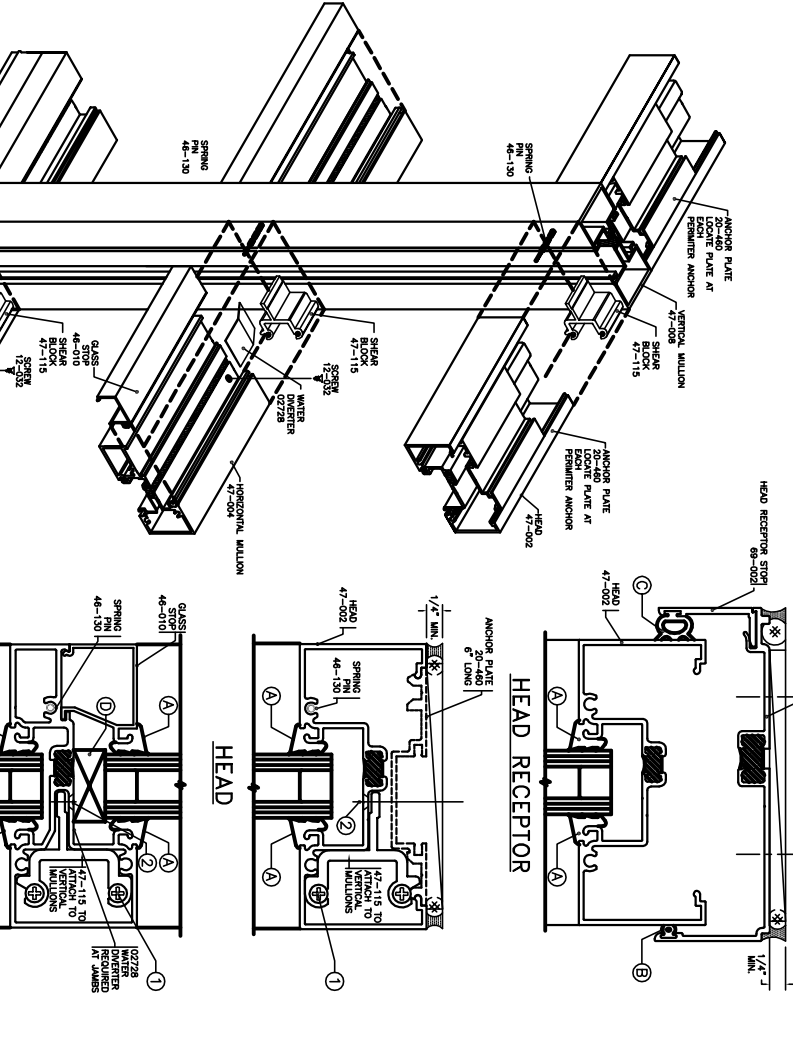
HEAD RECEPTION

GENERAL NOTES

1. Building codes vary by area. CMI Architectural Products does not interpret local codes for the appropriate selection and therefore assumes no responsibility. It is the responsibility of the owner, architect, and installer to comply with applicable codes.
2. All work shall be installed in accordance with the project documents. Notify the manufacturer of any deviations or discrepancies.
3. All framing shall be checked prior to and, in proper situations, after the installation of the window or door.
4. Materials stored on the job site shall be properly protected and covered to allow adequate water runoff and protection from the elements.
5. CMI Architectural Products recommends that all shop drawings be reviewed by our engineers and that shop drawings be stamped and signed by the manufacturer. Glazing contractors providing their own shop drawings shall be responsible for their own work.
6. Check the opening to allow 1/4" of slack, top and bottom.
7. Apply sealant to all ends of all horizontal and vertical framing members. Assemble frames by applying sealant through the horizontal members. Sealant shall be applied to the vertical members.
8. Shim the sash head and sash into the opening, top and bottom.
9. Apply sealant to all ends of all horizontal and vertical framing members. Assemble frames by applying sealant through the horizontal members. Sealant shall be applied to the vertical members.
10. Apply putty in groove of interior prior to setting glass. Set with putty in groove.

FASTENERS	GASKETS
<p>1</p>  <p>A</p>	<p>1</p>  <p>A</p>
<p>2</p>  <p>B</p>	<p>2</p>  <p>B</p>
<p>3</p>  <p>C</p>	<p>3</p>  <p>C</p>
<p>D</p>  <p>D</p>	<p>D</p>  <p>D</p>
<p>E</p>  <p>E</p>	<p>E</p>  <p>E</p>

NOTE: PER INDEPENDENT LABORATORY TESTING, CMI ARCHITECTURAL PRODUCTS AND FASTENERS MEET AND EXCEED ALL APPLICABLE REQUIREMENTS FOR CORROSION RESISTANCE.



REVISIONS	PROJECT:						
<table border="1"> <tr> <th>NO.</th> <th>DATE</th> <th>DESCRIPTION</th> </tr> <tr> <td> </td> <td> </td> <td> </td> </tr> </table>	NO.	DATE	DESCRIPTION				<p>PROJECT: _____</p> <p>ARCHITECT: _____</p> <p>GLAZING CONTRACTOR: _____</p>
NO.	DATE	DESCRIPTION					

THIS DRAWING IS PREPARED FOR THE SOLE USE OF OBTAINING APPROVAL FOR MATERIALS AND METHODS OF INSTALLATION. CMI ARCHITECTURAL PRODUCTS ASSUMES NO RESPONSIBILITY FOR GLASS SIZES, DETAILS OR MEASUREMENTS THAT CREATE ERRORS BY OTHER TRADES THROUGH THE USE OF THESE DRAWINGS. PERFORMER SHALL BE RESPONSIBLE FOR THE STRUCTURAL AND ANCHOR CONDITIONS ARE NOT THE RESPONSIBILITY OF CMI ARCHITECTURAL PRODUCTS. THE NATIONALS AND LOCATIONS ARE THE RESPONSIBILITY OF THE INSTALLER. THESE DRAWINGS ARE THE EXPRESS PROPERTY OF CMI ARCHITECTURAL.

CMI Architectural
CMI-ARCHITECTURAL PRODUCTS, INC.
 4815
 DeSmet, South Dakota 57231-0475
 TELEPHONE (605)854-3328
 FAX (605)854-3077